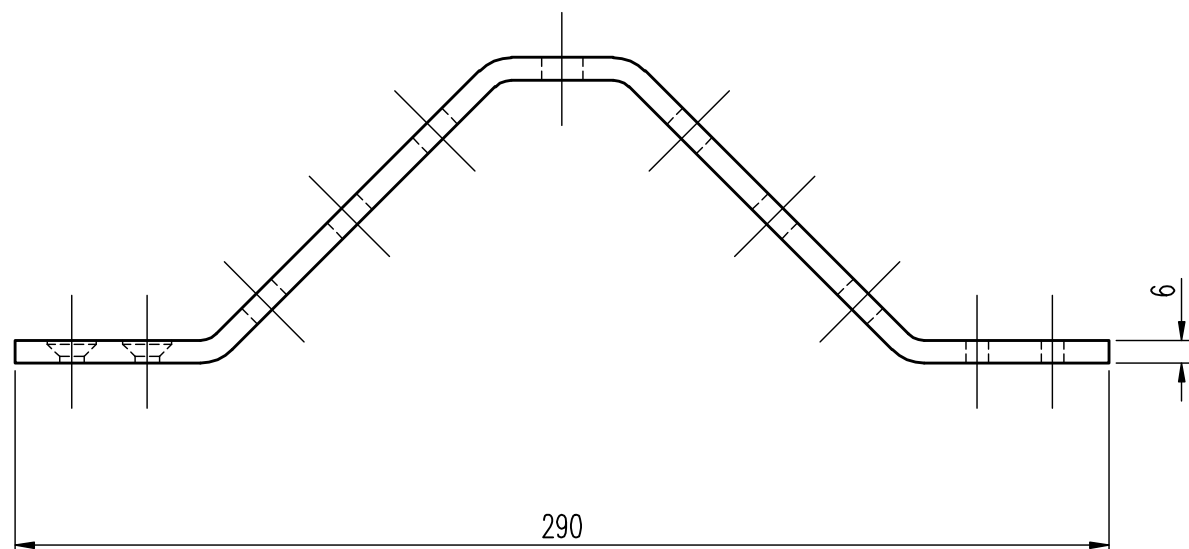
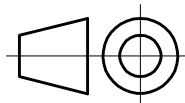


**©**  
COPY RIGHT  
RESERVED

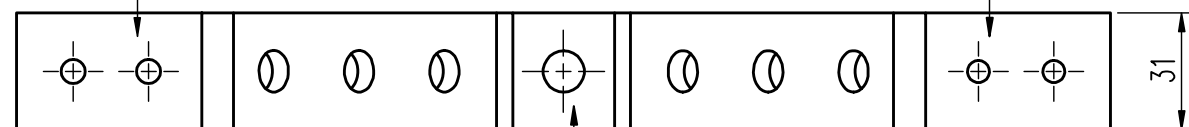
**CUSTOMER  
DRAWING**

FIRST ANGLE PROJECTION

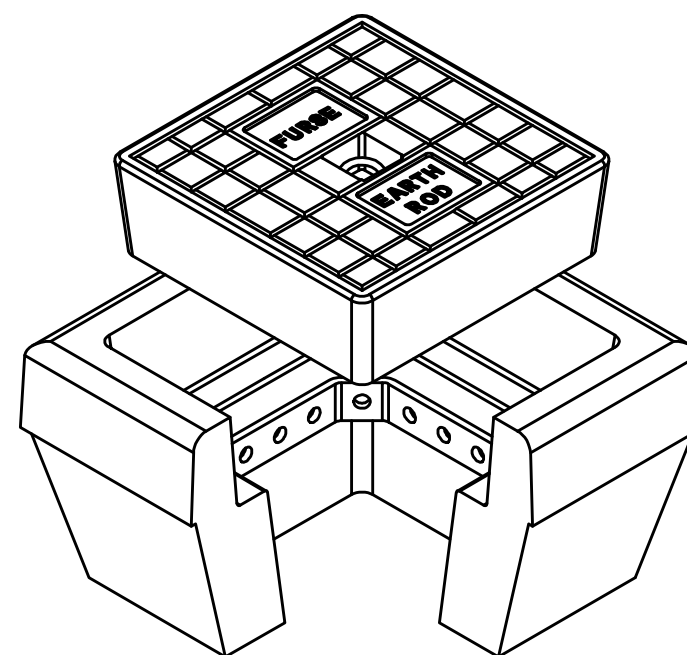


DRILL 2 x Ø6.5 HOLES  
C/SK Ø13 x 90° x 1 DEEP

DRILL AND TAP 2 x M6 HOLES



7 x Ø11 mm Holes



4	24.11.99	NEW DRAWING (AUTOCAD R14)	J.B.	PW
ISSUE	DATE	REVISION	C'NOTE	DRN APP
SIZE	GENERAL NOTES: 1. All dimensions in mm unless stated otherwise. W.J.FURSE RESERVE THE RIGHT TO ALTER THE DESIGN OF ANY PRODUCT WITHOUT NOTICE.			

**furse**

**W.J. Furse & Co. Ltd.** Tel: 0115 986 3471.  
Wilford Road. Fax: 0115 986 0538.  
Nottingham.  
NG2 1EB.

**Thomas & Betts**

MATERIAL	HC HD COPPER TO BS2874 - C101	TITLE	' 7 ' HOLE EARTHBAR	DATE	24.11.99	DRN	J.B.
FINISH	SELFCOLOUR	CAD REF	\cad\elp\customer\fixtures\ PT007-C	SCALE	NTS	CHKD	PW
		DRG.No.		SHEET	1 OF 1	APP	PW
				DEPT	E&LP.	REV	4